

All rights reserved by **CNH Industrial**.

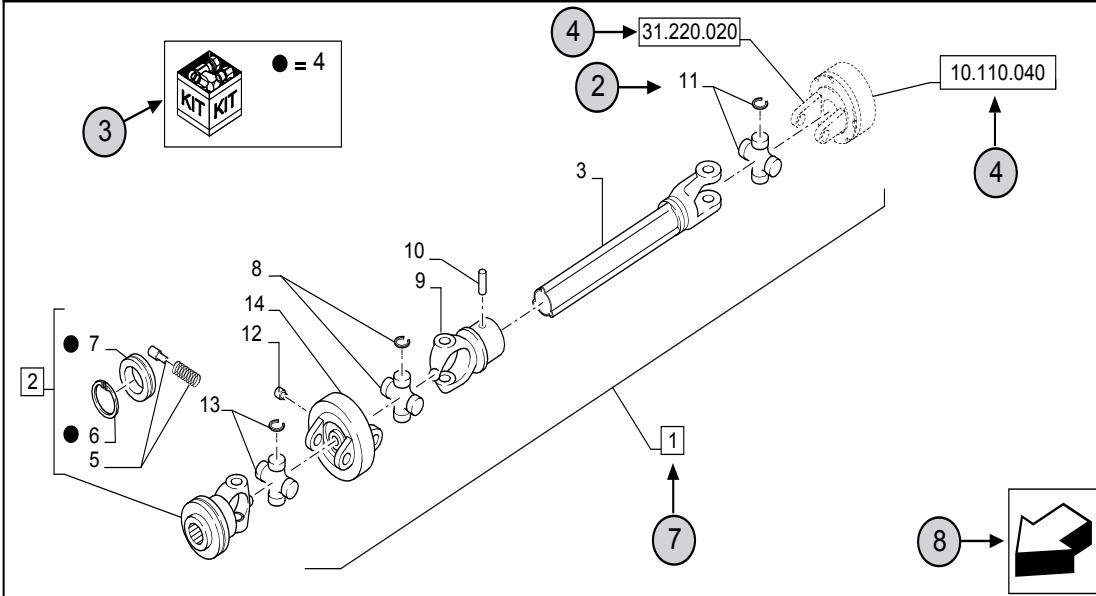
The information contained in this catalogue is intended to be of a general nature only. **CNH Industrial** may at any time and from time to time, for technical or other necessary reasons, modify any of the details or specifications of the product described in this catalogue.

To be sure of getting accurate, detailed and up-to-date information, an intending buyer should consult his nearest **CNH Industrial** dealer or distributor.

Single item numeration method used in this catalogue may not be used without written consent from **CNH Industrial**

31.220.010	01	p1	10/2014
------------	----	----	---------

VAR - 123782, 789101,987654 - PTO - D650



STANDARD ← (6)

(23)	(9)	(10)	31.220.010	01	p1	10/2014
------	-----	------	------------	----	----	---------

VAR - 123782, 789101,987654 - PTO - D650

(11) (12) (13) (14)

REF	FN	PART NUMBER	YR/SN	QTY	DESCRIPTION
1	1	86529340	(20)	1	SHAFT PTO, Incl 2 - 11
2	(15)	84014007		1	YOKE, Incl 4 - 7 ← (7)
3	(16)	NSS		1	NOT SERVICED SEPARATELY, SHAFT, 350mm, Incl in 1
4		84004292		1	KIT, Seal Kit, Incl 6, 7 (17)
4		{84058743}		1	KIT, Seal Kit, Incl 6, 7
(2)	(18)	(19)		(21)	(22)
		1 = FOR ITALY ONLY ← (5)			

MODELS ← (1)


- 1 Model Number and Model Description
- 2 Reference - Figure call-out of the part number.
- 3 Parts supplied in repair kits per symbol reference.
- 4 31.220.020 Part illustrated on the **Page** or in the **Figure** indicated, or calls for **Variations** or **Details**. Indicates components shown in detail elsewhere in the catalogue under the figure number shown.
- 5 Footnote references
- 6 Figure notes
- 7 1 2 Includes item(s) (See Description within partlist).
- 8 Orientation. (Arrow indicates front of the machine). 
- 9 Figure description.
- 10 General information of the figure.
- 11 Figure title number that aligns with the SRT. Standard Repair Time.
- 12 **Sequence** code within the assembly.
- 13 Page number within the sequence code.
- 14 **Date** of printing or updating of page (month-year).
- 15 **Note** - Relating to the Part Number. There is a key to symbols and abbreviations at the bottom of the text page.
- 16 Non-serviced parts.
- 17 Further description of the part to help confirm identification.
- 18 Not available as service part.
- 19 Part Number.
- 20 To be defined.
- 21 Total **Quantity** of the Part referred to in the page.
The quantity can be replaced by the following indications:
AR = quantity as requested.
- 22 Part **Description**.
- 23 Variant Codes

TABLE OF CONTENTS

00.000.00		PICTORIAL INDEX - MAIN SECTIONS
00.000.05		PICTORIAL INDEX - SERVICE & MAINTENANCE
00.000.10	01	PICTORIAL INDEX - ENGINE
00.000.10	01	PICTORIAL INDEX - ENGINE
00.000.10	02	PICTORIAL INDEX - ENGINE
00.000.10	02	PICTORIAL INDEX - ENGINE
00.000.10	03	PICTORIAL INDEX - ENGINE
00.000.10	03	PICTORIAL INDEX - ENGINE
00.000.18		PICTORIAL INDEX - CLUTCH
00.000.18		PICTORIAL INDEX - CLUTCH
00.000.21	01	PICTORIAL INDEX - TRANSMISSION
00.000.21	01	PICTORIAL INDEX - TRANSMISSION
00.000.21	02	PICTORIAL INDEX - TRANSMISSION
00.000.21	02	PICTORIAL INDEX - TRANSMISSION
00.000.23		PICTORIAL INDEX - FOUR WHEEL DRIVE SYSTEM
00.000.23		PICTORIAL INDEX - FOUR WHEEL DRIVE SYSTEM
00.000.25	01	PICTORIAL INDEX - FRONT AXLE SYSTEM
00.000.25	01	PICTORIAL INDEX - FRONT AXLE SYSTEM
00.000.25	02	PICTORIAL INDEX - FRONT AXLE SYSTEM
00.000.25	02	PICTORIAL INDEX - FRONT AXLE SYSTEM
00.000.27		PICTORIAL INDEX - REAR AXLE SYSTEM
00.000.27		PICTORIAL INDEX - REAR AXLE SYSTEM
00.000.31	01	PICTORIAL INDEX - IMPLEMENT POWER TAKE-OFF
00.000.31	02	PICTORIAL INDEX - IMPLEMENT POWER TAKE-OFF
00.000.33	01	PICTORIAL INDEX - BRAKES & CONTROLS
00.000.33	01	PICTORIAL INDEX - BRAKES & CONTROLS
00.000.33	02	PICTORIAL INDEX - BRAKES & CONTROLS
00.000.33	02	PICTORIAL INDEX - BRAKES & CONTROLS
00.000.33	03	PICTORIAL INDEX - BRAKES & CONTROLS
00.000.33	03	PICTORIAL INDEX - BRAKES & CONTROLS
00.000.35	01	PICTORIAL INDEX - HYDRAULIC SYSTEMS
00.000.35	02	PICTORIAL INDEX - HYDRAULIC SYSTEMS
00.000.35	03	PICTORIAL INDEX - HYDRAULIC SYSTEMS
00.000.37	01	PICTORIAL INDEX - HITCHES, DRAWBARS AND IMPLEMENT COUPLINGS
00.000.37	02	PICTORIAL INDEX - HITCHES, DRAWBARS AND IMPLEMENT COUPLINGS
00.000.37	03	PICTORIAL INDEX - HITCHES, DRAWBARS AND IMPLEMENT COUPLINGS

TABLE OF CONTENTS

00.000.39		PICTORIAL INDEX - FRAMES AND BALLASTING
00.000.41		PICTORIAL INDEX - STEERING
00.000.44	01	PICTORIAL INDEX - WHEELS
00.000.44	02	PICTORIAL INDEX - WHEELS
00.000.50		PICTORIAL INDEX - CAB CLIMATE CONTROL
00.000.50		PICTORIAL INDEX - CAB CLIMATE CONTROL
00.000.55	01	PICTORIAL INDEX - ELECTRICAL SYSTEMS
00.000.55	02	PICTORIAL INDEX - ELECTRICAL SYSTEMS
00.000.55	03	PICTORIAL INDEX - ELECTRICAL SYSTEMS
00.000.55	04	PICTORIAL INDEX - ELECTRICAL SYSTEMS
00.000.55	05	PICTORIAL INDEX - ELECTRICAL SYSTEMS
00.000.82		PICTORIAL INDEX - FRONT LOADER AND BUCKET
00.000.82		PICTORIAL INDEX - FRONT LOADER AND BUCKET
00.000.88		PICTORIAL INDEX - ACCESSORIES
00.000.90	01	PICTORIAL INDEX - PLATFORM, CAB, BODYWORK AND DECALS
00.000.90	02	PICTORIAL INDEX - PLATFORM, CAB, BODYWORK AND DECALS
00.000.90	03	PICTORIAL INDEX - PLATFORM, CAB, BODYWORK AND DECALS
00.100.01		IDENTIFICATION PLATES AND VERSION LIST
00.100.04	01	OPTIONAL EQUIPMENT
00.100.04	02	OPTIONAL EQUIPMENT
00.100.04	03	OPTIONAL EQUIPMENT
00.100.04	04	OPTIONAL EQUIPMENT
00.100.04	05	OPTIONAL EQUIPMENT
00.100.04	06	OPTIONAL EQUIPMENT
00.100.04	07	OPTIONAL EQUIPMENT
00.100.04	08	OPTIONAL EQUIPMENT
00.100.04	09	OPTIONAL EQUIPMENT
00.100.04	10	OPTIONAL EQUIPMENT
00.100.04	11	OPTIONAL EQUIPMENT
05.000.00		SECTION INDEX - SERVICE & MAINTENANCE
05.100.01		INITIAL STOCKING LIST (LIST A)
05.100.02		INITIAL STOCKING LIST (LIST B)
05.100.032		CAPACITIES
05.100.041		MAINTENANCE PARTS - FILTERS
05.100.042		MAINTENANCE PARTS - STARTER MOTOR, ALTERNATOR, BELTS
05.100.043		MAINTENANCE PARTS - FUSES

TABLE OF CONTENTS

05.100.044		MAINTENANCE PARTS - BULBS
05.100.045		MAINTENANCE PARTS - PUMPS
10.000.00	01	SECTION INDEX - ENGINE
10.000.00	01	SECTION INDEX - ENGINE
10.000.00	02	SECTION INDEX - ENGINE
10.000.00	02	SECTION INDEX - ENGINE
10.000.00	03	SECTION INDEX - ENGINE
10.000.00	03	SECTION INDEX - ENGINE
10.001.010		VAR - 392194, 392210, 758400 - ENGINE, ASSY
10.103.010		VAR - 392194, 392210, 758400 - ENGINE FLYWHEEL
10.202.010		VAR - 392194, 392210, 758400 - AIR CLEANER
10.202.020		VAR - 392194, 392210, 758400 - AIR CLEANER, SUPPORT, 6 CYLINDER
10.202.030		VAR - 392194, 392210, 758400 - AIR CLEANER & INTAKE PARTS, 4 CYLINDER
10.206.020		FUEL FILTER, COMPONENTS
10.206.030		FUEL FILTER/WATER SEPARATOR, 4 CYLINDER
10.216.010		VAR - 759127 - STANDARD , FUEL TANK
10.216.020		VAR - 759127, 759128 - STANDARD , FUEL TANK
10.216.030		VAR - 759128 - STANDARD , FUEL TANK, W/ PROTECTION SHIELD
10.216.040		VAR - 759129 - LARGER FUEL TANK
10.216.050		VAR - 759129, 759130 - LARGER FUEL TANK, COMPONENTS
10.216.060		VAR - 759130 - LARGER FUEL TANK, W/ PROTECTION SHIELD
10.216.070		FUEL TANK, LINE, 6 CYLINDER
10.216.090		FUEL COOLER, LINE, 6 CYLINDER
10.216.100		FUEL TANK, LINE, 4 CYLINDER
10.216.110		FUEL COOLER
10.216.120		FUEL COOLER, LINE, 4 CYLINDER
10.254.010		VAR - 758400 - ENGINE, EXHAUST BRAKE
10.254.020		VAR - 390819, 758478 - EXHAUST PIPE, COVERS, W/O FRONT LOADER
10.254.030		VAR - 743702, 758344, 758351, 758352, 758353, 758354 - EXHAUST PIPE, COVERS, W/ LOADER READY
10.304.010		VAR - 392194, 392210, 758400 - ENGINE, OIL SEPARATOR, FILTER, 4 CYLINDER
10.304.030		VAR - 392194, 392210, 758400 - ENGINE, OIL SEPARATOR, FILTER, COMPONENTS
10.304.040		VAR - 392194, 392210, 758400 - ENGINE, OIL SEPARATOR, FILTER, AIR INTAKE LINE, 4 CYLINDER
10.310.020		VAR - 392194, 392210, 758400 - INTERCOOLER LINE, 4 CYLINDER
10.310.030		VAR - 392194, 392210, 758400 - INTERCOOLER, 4 CYLINDER
10.400.010		VAR - 392300 - FAN, ENGINE
10.400.030		VAR - 392194, 392210, 758400 - RADIATOR FAN SHROUD, UPPER, PLATE

TABLE OF CONTENTS

10.400.040	VAR - 392194, 392210, 758400 - RADIATOR
10.400.050	VAR - 392194, 392210, 758400 - RADIATOR, SUPPORT
10.400.070	VAR - 392194, 392210, 758400 - RADIATOR, EXPANSION TANK, HOSE, 4 CYLINDER
10.400.090	VAR - 392194, 392210, 758400 - RADIATOR HOSE, 4 CYLINDER
10.400.110	VAR - 392194, 392210, 758400 - RADIATOR, AIR FLAP
10.400.120	VAR - 390811, 744790, 744965, 744966, 758471, 758472, 759141, 759142 - RADIATOR, BAFFLE
10.400.130	VAR - 390811, 744965, 744966, 758471, 758472 - RADIATOR, BAFFLE, W/ FRONT AXLE SUSPENSION
10.400.140	VAR - 390811, 744790, 744965, 744966, 758471, 758472, 759141, 759142 - RADIATOR, FRAME, SUPPORT
10.400.150	VAR - 759144, 759145, 759147, 759148, 759149 - RADIATOR, FRAME, SUPPORT, W/ INTEGRATED FRONT HPL W/ PTO
10.414.010	VAR - 392300 - RADIATOR FAN SHROUD
10.414.030	VAR - 392701, 758482 - ENGINE, FAN, PULLEY
10.500.010	VAR - 759127 - STANDARD , FUEL TANK, DEF/ADBLUE™ TANK
10.500.020	VAR - 759127, 759128, 759129, 759130 - DEF/ADBLUE™ TANK, COMPONENTS
10.500.030	VAR - 759128 - STANDARD , FUEL TANK, W/ PROTECTION SHIELD, DEF/ADBLUE™ TANK
10.500.040	VAR - 759129 - LARGER FUEL TANK, DEF/ADBLUE™ TANK
10.500.050	VAR - 759130 - LARGER FUEL TANK, W/ PROTECTION SHIELD, DEF/ADBLUE™ TANK
10.500.060	VAR - 391610, 758479 - SELECTIVE CATALYTIC REDUCTION, SUPPORT
10.500.070	VAR - 392209, 743729, 743816 - SELECTIVE CATALYTIC REDUCTION, EXHAUST PIPE,W/ HIGH PROFILE ROOF
10.500.080	VAR - 390500, 744985 - SELECTIVE CATALYTIC REDUCTION, EXHAUST PIPE, W/ LOW PROFILE ROOF
10.500.090	VAR - 392194, 392210, 758400 - SELECTIVE CATALYTIC REDUCTION, MUFFLER, 4 CYLINDER
10.500.100	VAR - 392194, 392210, 758400 - SELECTIVE CATALYTIC REDUCTION, MUFFLER, PIPE
10.500.110	VAR - 392194, 392210, 758400 - SELECTIVE CATALYTIC REDUCTION, MUFFLER, SUPPORT
10.500.130	VAR - 392194, 392210, 758400 - SELECTIVE CATALYTIC REDUCTION, CATALYST, SUPPORT
10.500.140	VAR - 392194, 392210, 758400 - SELECTIVE CATALYTIC REDUCTION, CATALYST, PIPE, 4 CYLINDER
10.500.150	VAR - 344588, 344589, 344594, 392194, 392210, 758400, 759446 - DEF/ADBLUE™ LINES
10.500.160	VAR - 344588, 344589, 344590, 344591, 344592, 344593, 344594, 344595, 392194, 392210, 393017, 758400, 759446, 759447 - SELECTIVE CATALYTIC REDUCTION, COOLANT, VALVE, LINE, 4 CYLINDER
18.000.00	SECTION INDEX - CLUTCH
18.000.00	SECTION INDEX - CLUTCH
18.100.010	VAR - 392195, 743764, 743766, 758413, 758414, 758415, 758416, 758581, 759375, 759377, 759379 - CLUTCH, PEDAL
18.112.010	VAR - 392195, 743764, 743766, 758413, 758414, 758415, 758416, 758581, 759375, 759377, 759379 - FLYWHEEL, DAMPER
21.000.00	01 SECTION INDEX - TRANSMISSION
21.000.00	01 SECTION INDEX - TRANSMISSION
21.000.00	02 SECTION INDEX - TRANSMISSION
21.000.00	02 SECTION INDEX - TRANSMISSION

TABLE OF CONTENTS

21.103.010	VAR - 758441 - TRANSMISSION, ACCUMULATOR
21.103.020	VAR - 758441 - TRANSMISSION, ACCUMULATOR, HOSE
21.103.030	VAR - 391828 - TRANSMISSION, ACCUMULATOR
21.103.040	VAR - 391828 - TRANSMISSION, OIL FILTER
21.109.010	VAR - 391828, 392195, 743764, 743766, 758413, 758414, 758415, 758416, 758441, 758581, 759375, 759377, 759379 - TRANSMISSION, OIL COOLER
21.109.020	VAR - 391828, 758441 - TRANSMISSION, OIL COOLER, LINE
21.109.030	VAR - 391828 - TRANSMISSION, RADIATOR, OIL COOLER LINE
21.109.040	VAR - 758441 - TRANSMISSION, VALVE, OIL COOLER LINE, 19CC PUMP
21.109.050	VAR - 758441 - TRANSMISSION, VALVE, OIL COOLER LINE, 25CC PUMP
21.109.060	VAR - 758441 - TRANSMISSION, OIL COOLER LINE (40KPH)
21.109.070	VAR - 391828 - TRANSMISSION, OIL COOLER LINE
21.109.080	VAR - 758441 - TRANSMISSION, OIL COOLER LINE, 19CC PUMP
21.109.090	VAR - 758441 - TRANSMISSION, OIL COOLER LINE, BY-PASS VALVE
21.109.100	VAR - 758441 - TRANSMISSION, OIL COOLER LINE, 25CC PUMP
21.109.110	VAR - 758441 - TRANSMISSION, OIL COOLER LINE (50KPH)
21.111.010	VAR - 392195, 758413, 758414, 758415, 758416, 758581, 759375, 759377, 759379 - TRANSMISSION HOUSING, BRACKET
21.111.020	VAR - 392195, 758413, 758414, 758415, 758416, 758581, 759375, 759377, 759379 - TRANSMISSION HOUSING, OUTPUT, WALL
21.111.030	VAR - 392195, 743764, 743766, 758413, 758414, 758415, 758416, 758581, 759375, 759377, 759379 - TRANSMISSION HOUSING, BUCKLE, SPACER
21.111.050	VAR - 392195, 743764, 743766, 758413, 758414, 758415, 758416, 758581, 759375, 759377, 759379 - TRANSMISSION HOUSING, BRACKET
21.111.060	VAR - 759375, 759377, 759379 - TRANSMISSION HOUSING, DRIVE SHAFT, PLUGS
21.118.010	VAR - 392195, 743764, 743766, 758413, 758414, 758415, 758416, 758581, 759375, 759377, 759379 - TRANSMISSION HOUSING, REAR, MOUNTING
21.118.020	VAR - 392195, 743764, 743766, 758413, 758414, 758415, 758416, 758581, 759375, 759377, 759379 - TRANSMISSION HOUSING, REAR, COMPONENTS
21.118.030	VAR - 392195, 743764, 743766, 758413, 758414, 758415, 758416, 758581, 759375, 759377, 759379 - TRANSMISSION HOUSING, REAR, BREATHER LINE, 4 CYLINDER
21.118.040	VAR - 392195, 743764, 743766, 758413, 758414, 758415, 758416, 758581, 759375, 759377, 759379 - TRANSMISSION HOUSING, REAR, DIFFERENTIAL, LINE
21.118.050	VAR - 392195, 743764, 743766, 758413, 758414, 758415, 758416, 758581, 759375, 759377, 759379 - TRANSMISSION HOUSING, REAR, HYDRAULIC LIFT, OIL DISCHARGE, LINE
21.133.010	VAR - 392195, 743764, 743766, 758413, 758414, 758415, 758416, 758581, 759375, 759377, 759379 - TRANSMISSION CONTROL VALVE
21.133.020	VAR - 392195, 743764, 743766, 758413, 758414, 758415, 758416, 758581, 759375, 759377, 759379 - TRANSMISSION CONTROL VALVE, COMPONENTS
21.133.030	VAR - 392195, 743764, 743766, 758413, 758414, 758415, 758416, 758581, 759375, 759377, 759379 - TRANSMISSION HOUSING, GEARSHIFT, COVER, MOUNTING
21.133.040	VAR - 392195, 743764, 743766, 758413, 758414, 758415, 758416, 758581, 759375, 759377, 759379 - TRANSMISSION HOUSING, GEARSHIFT, COVER
21.133.050	VAR - 392195, 743764, 743766, 758413, 758414, 758415, 758416, 758581, 759375, 759377, 759379 - TRANSMISSION HOUSING, GEARSHIFT, FORKS
21.133.060	VAR - 758414, 758416, 759379 - REDUCTION, UNIT, FORK
21.133.070	VAR - 390021 - GEARSHIFT, CONTROLS, W/O RADAR, W/O ELECTROHYDRAULIC MID MOUNT VALVE
21.152.010	VAR - 392195, 743764, 743766, 758413, 758414, 758415, 758416, 758581, 759375, 759377, 759379 - TRANSMISSION, FLYWHEEL, DAMPER, DRIVEN SHAFT

TABLE OF CONTENTS

21.152.020	VAR - 392195, 743764, 743766, 758413, 758414, 758415, 758416, 758581, 759375, 759377, 759379 - TRANSMISSION, CLUTCH
21.152.030	VAR - 392195, 743764, 743766, 758413, 758414, 758415, 758416, 758581, 759375, 759377, 759379 - TRANSMISSION, GEAR
21.152.040	VAR - 392195, 743764, 743766, 758413, 758414, 758415, 758416, 758581, 759375, 759377, 759379 - TRANSMISSION, CENTRAL REDUCTION GEAR
21.152.050	VAR - 392195, 743764, 743766, 758413, 758414, 758415, 758416, 758581, 759375, 759377, 759379 - TRANSMISSION, CLUTCH, GEAR
21.152.060	VAR - 392195, 743764, 743766, 758413, 758414, 758415, 758416, 758581, 759375, 759377, 759379 - TRANSMISSION, SHAFT
21.152.070	VAR - 392195, 743764, 743766, 758413, 758414, 758415, 758416, 758581, 759375, 759377, 759379 - TRANSMISSION, SYNCHRONIZER, REVERSE SHAFT
21.152.080	VAR - 392195, 743764, 743766, 758413, 758414, 758415, 758416, 758581, 759375, 759377, 759379 - TRANSMISSION, REVERSE SHAFT, COVER
21.152.090	VAR - 392195, 743764, 743766, 758413, 758414, 758415, 758416, 758581, 759375, 759377, 759379 - TRANSMISSION, CENTRAL REDUCTION GEAR, GEARSHIFT, FORK
21.152.100	VAR - 758414, 758416, 759375 - REDUCTION, UNIT, GEAR
21.152.110	VAR - 743764, 743766 - TRANSMISSION, SPLITTER, CLUTCH
21.168.010	VAR - 392195, 743764, 743766, 758413, 758414, 758415, 758416, 758581, 759375, 759377, 759379 - TRANSMISSION, HI-LO, CLUTCH
21.168.020	VAR - 392195, 743764, 743766, 758413, 758414, 758415, 758416, 758581, 759375, 759377, 759379 - TRANSMISSION LUBRICATION LINE, HI-LO, COVER
21.200.010	VAR - 392195, 743764, 743766, 758413, 758414, 758415, 758416, 758581, 759375, 759377, 759379 - DROP BOX
21.900.010	VAR - 392195, 743764, 743766, 758413, 758414, 758415, 758416, 758581, 759375, 759377, 759379 - HYDRAULIC PUMP, GEAR
21.900.020	VAR - 392195, 743764, 743766, 758413, 758414, 758415, 758416, 758581, 759375, 759377, 759379 - HYDRAULIC PUMP, GEAR, WHEEL DISC
23.000.00	SECTION INDEX - FOUR WHEEL DRIVE SYSTEM
23.000.00	SECTION INDEX - FOUR WHEEL DRIVE SYSTEM
23.202.010	VAR - 392195, 743764, 743766, 758413, 758414, 758415, 758416, 758581 - FRONT-WHEEL DRIVE ENGAGEMENT, SHAFT
23.202.020	VAR - 392195, 743764, 743766, 758413, 758414, 758415, 758416, 758581 - FRONT-WHEEL DRIVE ENGAGEMENT, DRIVEN SHAFT, JOINT
23.202.030	VAR - 392195, 743764, 743766, 758413, 758414, 758415, 758416, 758581 - FRONT-WHEEL DRIVE ENGAGEMENT, CLUTCH
23.314.010	VAR - 392196, 758417, 758420, 758425 - 4WD FRONT AXLE, DRIVE SHAFT
23.314.020	VAR - 758418, 758419, 758421, 758426 - 4WD FRONT AXLE, DRIVE SHAFT, WATERPROOF
23.314.030	VAR - 758422, 758423, 758427, 758428 - 4WD FRONT AXLE, DRIVE SHAFT, UNIVERSAL JOINT
23.314.040	VAR - 392196, 758417, 758420, 758425 - 4WD FRONT AXLE, DRIVE SHAFT, GUARD
23.314.050	VAR - 758422, 758423, 758427, 758428 - 4WD FRONT AXLE, DRIVE SHAFT, UNIVERSAL JOINT, GUARD
23.314.060	VAR - 758426 - 4WD FRONT AXLE, DRIVE SHAFT, WATERPROOF, GUARD
23.314.070	VAR - 758422, 758423, 758427, 758428 - SUSPENDED FRONT AXLE, DRIVE SHAFT, INTERMEDIATE
23.314.080	VAR - 758422, 758423, 758427, 758428 - SUSPENDED FRONT AXLE, DRIVE SHAFT, GUARD, 4 CYLINDER
23.314.090	VAR - 758422, 758423, 758427, 758428 - SUSPENDED FRONT AXLE, DRIVE SHAFT, JOINT
23.314.100	VAR - 759109 - 4WD FRONT AXLE, CL4, DRIVE SHAFT
23.314.110	VAR - 759109 - 4WD FRONT AXLE, CL4, DRIVE SHAFT, GUARD
23.314.120	VAR - 758418, 758419, 758421 - 4WD FRONT AXLE, DRIVE SHAFT, WATERPROOF, GUARD
23.314.130	VAR - 758424, 758429 - SUPERSTEER FRONT AXLE, DRIVE SHAFT

TABLE OF CONTENTS

23.314.140		VAR - 758424, 758429 - SUPERSTEER FRONT AXLE, DRIVE SHAFT, GUARD, 4 CYLINDER
25.000.00	01	SECTION INDEX - FRONT AXLE SYSTEM
25.000.00	01	SECTION INDEX - FRONT AXLE SYSTEM
25.000.00	02	SECTION INDEX - FRONT AXLE SYSTEM
25.000.00	02	SECTION INDEX - FRONT AXLE SYSTEM
25.100.010		VAR - 758425, 758426 - FRONT AXLE, W/ HYDRAULIC DIFFERENTIAL LOCK, W/ STEERING SENSORS
25.100.020		VAR - 758425, 758426 - FRONT AXLE, W/ HYDRAULIC DIFFERENTIAL LOCK, W/ STEERING SENSORS, W/ STEERING SENSORS, HOUSING
25.100.030		VAR - 758427 - SUSPENDED FRONT AXLE WITH HYDR. DIFF. LOCK & STRG SENSOR
25.100.040		VAR - 758427 - SUSPENDED FRONT AXLE WITH HYDR. DIFF. LOCK & STRG SENSOR, COMPONENTS, HOUSING
25.100.050		VAR - 758428 - SUSPENDED FRONT AXLE WITH HYDR. DIFF. LOCK, STRG SENSOR & BRAKES
25.100.060		VAR - 758428 - SUSPENDED FRONT AXLE WITH HYDR. DIFF. LOCK, STRG SENSOR & BRAKES, HOUSING
25.100.070		VAR - 758420, 758421 - FRONT AXLE, W/ HYDRAULIC DIFFERENTIAL LOCK, W/ STEERING SENSORS
25.100.080		VAR - 758420, 758421 - FRONT AXLE, W/ HYDRAULIC DIFFERENTIAL LOCK, W/ STEERING SENSORS, W/ STEERING SENSORS, HOUSING
25.100.090		VAR - 758423 - SUSPENDED FRONT AXLE WITH HYDR. DIFF. LOCK, STRG SENSOR & BRAKES
25.100.100		VAR - 758423 - SUSPENDED FRONT AXLE WITH HYDR. DIFF. LOCK, STRG SENSOR & BRAKES, HOUSING
25.100.110		VAR - 758422 - SUSPENDED FRONT AXLE WITH HYDR. DIFF. LOCK & STRG SENSOR
25.100.120		VAR - 758422 - SUSPENDED FRONT AXLE WITH HYDR. DIFF. LOCK & STRG SENSOR, HOUSING
25.100.130		VAR - 759109 - FRONT AXLE, HEAVY DUTY, CL4
25.100.140		VAR - 759109 - FRONT AXLE, HEAVY DUTY, CL4, HOUSING
25.100.150		VAR - 758429 - SUPERSTEER FRONT AXLE WITH MULTI-PLATE DIFF. LOCK & STRG SENSOR, CL3.5
25.100.160		VAR - 758429 - SUPERSTEER FRONT AXLE WITH MULTI-PLATE DIFF. LOCK & STRG SENSOR, CL3.5, HOUSING
25.100.170		VAR - 758429 - SUPERSTEER FRONT AXLE WITH MULTI-PLATE DIFF. LOCK & STRG SENSOR, CL3.5, ARTICULATION
25.100.180		VAR - 758424 - SUPERSTEER FRONT AXLE WITH MULTI-PLATE DIFF. LOCK & STRG SENSOR, CL3
25.100.190		VAR - 758424 - SUPERSTEER FRONT AXLE WITH MULTI-PLATE DIFF. LOCK & STRG SENSOR, CL3, HOUSING
25.100.200		VAR - 758424 - SUPERSTEER FRONT AXLE WITH MULTI-PLATE DIFF. LOCK & STRG SENSOR, CL3, ARTICULATION
25.100.210		VAR - 392196, 758418 - FRONT AXLE, W/ LIMITED SLIP DIFFERENTIAL, W/ HYDRAULIC DIFFERENTIAL LOCK
25.100.220		VAR - 392196, 758418 - FRONT AXLE, W/ LIMITED SLIP DIFFERENTIAL, W/ HYDRAULIC DIFFERENTIAL LOCK, HOUSING
25.100.230		VAR - 392196, 758417, 758419 - FRONT AXLE, STANDARD, CL3, W/ FRONT BRAKES
25.100.240		VAR - 392196, 758417, 758419 - FRONT AXLE, STANDARD, CL3, W/ FRONT BRAKES, HOUSING
25.100.250		VAR - 392196, 758417, 758418, 758419, 758420, 758421 - AXLE SUPPORT, ARTICULATION
25.100.260		VAR - 758425, 758426 - AXLE SUPPORT, ARTICULATION
25.100.270		VAR - 759109 - AXLE SUPPORT, CL4, ARTICULATION
25.100.280		VAR - 758424 - SUPERSTEER FRONT AXLE, CL3, SUPPORT, ARTICULATION
25.100.290		VAR - 758429 - SUPERSTEER FRONT AXLE, CL3.5, SUPPORT, ARTICULATION

TABLE OF CONTENTS

25.100.300	VAR - 392196, 758417, 758418, 758419, 758420, 758421, 758422, 758423, 758425, 758426, 758427, 758428 - FRONT AXLE, MOUNTING PARTS
25.100.310	VAR - 758424, 758429 - SUPERSTEER FRONT AXLE, MOUNTING PARTS
25.100.320	VAR - 392195, 743764, 743766, 758413, 758414, 758415, 758416, 758581, 759375, 759377, 759379 - 4WD FRONT AXLE, SUPPORT, PLUGS
25.100.330	VAR - 390811, 744790, 744965, 744966, 758471, 758472 - FRONT AXLE SUPPORT
25.100.340	VAR - 390811 - FRONT AXLE SUPPORT, W/ FRONT AXLE SUSPENSION
25.100.350	VAR - 390811, 759141, 759142 - FRONT AXLE SUPPORT, W/ SUPERSTEER
25.100.360	VAR - 390811 - FRONT AXLE SUPPORT, CLASS 4
25.100.370	VAR - 759144, 759145, 759147, 759148, 759149 - INTEGRATED HYDRAULIC LIFT, SUPPORT
25.100.380	VAR - 759144, 759145, 759147, 759148, 759149 - INTEGRATED HYDRAULIC LIFT, W/ FRONT AXLE SUSPENSION, SUPPORT
25.100.390	VAR - 759144, 759145, 759147, 759148, 759149 - INTEGRATED HYDRAULIC LIFT, W/ FRONT AXLE SUSPENSION, SUPPORT, ATTACHMENT
25.100.410	VAR - 758478 - ENGINE, SIDE RAIL
25.102.010	VAR - 758425, 758426 - FRONT AXLE, W/ HYDRAULIC DIFFERENTIAL LOCK, W/ STEERING SENSORS, DIFFERENTIAL, CARRIER
25.102.020	VAR - 758425, 758426 - FRONT AXLE, W/ HYDRAULIC DIFFERENTIAL LOCK, W/ STEERING SENSORS, DIFFERENTIAL, BEVEL GEAR
25.102.030	VAR - 758425, 758426 - FRONT AXLE, W/ HYDRAULIC DIFFERENTIAL LOCK, W/ STEERING SENSORS, LIMITED SLIP DIFFERENTIAL
25.102.040	VAR - 758427, 758428 - SUSPENDED FRONT AXLE WITH HYDR. DIFF. LOCK & STRG SENSOR, DIFFERENTIAL, CARRIER
25.102.050	VAR - 758427, 758428 - SUSPENDED FRONT AXLE WITH HYDR. DIFF. LOCK & STRG SENSOR, DIFFERENTIAL, BEVEL GEAR
25.102.060	VAR - 758427, 758428 - SUSPENDED FRONT AXLE WITH HYDR. DIFF. LOCK & STRG SENSOR, LIMITED SLIP DIFFERENTIAL
25.102.070	VAR - 758420, 758421 - FRONT AXLE, W/ HYDRAULIC DIFFERENTIAL LOCK, W/ STEERING SENSORS, DIFFERENTIAL, CARRIER
25.102.080	VAR - 758420, 758421 - FRONT AXLE, W/ HYDRAULIC DIFFERENTIAL LOCK, W/ STEERING SENSORS, DIFFERENTIAL, BEVEL GEAR
25.102.090	VAR - 758420, 758421 - FRONT AXLE, W/ HYDRAULIC DIFFERENTIAL LOCK, W/ STEERING SENSORS, DIFFERENTIAL
25.102.100	VAR - 758420, 758421 - FRONT AXLE, W/ HYDRAULIC DIFFERENTIAL LOCK, W/ STEERING SENSORS, DIFFERENTIAL, LOCK
25.102.110	VAR - 758422, 758423 - FRONT AXLE, W/ HYDRAULIC DIFFERENTIAL LOCK, W/ STEERING SENSORS, DIFFERENTIAL, CARRIER
25.102.120	VAR - 758422, 758423 - FRONT AXLE, W/ HYDRAULIC DIFFERENTIAL LOCK, W/ STEERING SENSORS, DIFFERENTIAL, BEVEL GEAR
25.102.130	VAR - 758422, 758423 - FRONT AXLE, W/ HYDRAULIC DIFFERENTIAL LOCK, W/ STEERING SENSORS, DIFFERENTIAL
25.102.140	VAR - 758422, 758423 - FRONT AXLE, W/ HYDRAULIC DIFFERENTIAL LOCK, W/ STEERING SENSORS, DIFFERENTIAL, LOCK
25.102.150	VAR - 759109 - FRONT AXLE, HEAVY DUTY, CL4, DIFFERENTIAL, CARRIER
25.102.160	VAR - 759109 - FRONT AXLE, HEAVY DUTY, CL4, DIFFERENTIAL, BEVEL GEAR
25.102.170	VAR - 759109 - FRONT AXLE, HEAVY DUTY, CL4, DIFFERENTIAL
25.102.180	VAR - 759109 - FRONT AXLE, HEAVY DUTY, CL4, DIFFERENTIAL, LOCK
25.102.190	VAR - 758429 - SUPERSTEER FRONT AXLE WITH MULTI-PLATE DIFF. LOCK & STRG SENSOR, CL3.5, DIFFERENTIAL, CARRIER
25.102.200	VAR - 758429 - SUPERSTEER FRONT AXLE WITH MULTI-PLATE DIFF. LOCK & STRG SENSOR, CL3.5, DIFFERENTIAL, BEVEL GEAR
25.102.210	VAR - 758429 - SUPERSTEER FRONT AXLE WITH MULTI-PLATE DIFF. LOCK & STRG SENSOR, CL3.5, DIFFERENTIAL

TABLE OF CONTENTS

25.102.220	VAR - 758429 - SUPERSTEER FRONT AXLE WITH MULTI-PLATE DIFF. LOCK & STRG SENSOR, CL3.5, DIFFERENTIAL, HYD. LINE
25.102.230	VAR - 758424 - SUPERSTEER FRONT AXLE WITH MULTI-PLATE DIFF. LOCK & STRG SENSOR, CL3, DIFFERENTIAL, CARRIER
25.102.240	VAR - 758424 - SUPERSTEER FRONT AXLE WITH MULTI-PLATE DIFF. LOCK & STRG SENSOR, CL3, DIFFERENTIAL, BEVEL GEAR
25.102.250	VAR - 758424 - SUPERSTEER FRONT AXLE WITH MULTI-PLATE DIFF. LOCK & STRG SENSOR, CL3, DIFFERENTIAL
25.102.260	VAR - 758424 - SUPERSTEER FRONT AXLE WITH MULTI-PLATE DIFF. LOCK & STRG SENSOR, CL3, DIFFERENTIAL, HYD. LINE
25.102.270	VAR - 392196, 758417, 758418, 758419 - FRONT AXLE, W/ LIMITED SLIP DIFFERENTIAL, DIFFERENTIAL, CARRIER
25.102.280	VAR - 392196, 758417, 758418, 758419 - FRONT AXLE, W/ LIMITED SLIP DIFFERENTIAL, DIFFERENTIAL, BEVEL GEAR
25.102.290	VAR - 392196, 758417, 758418, 758419 - FRONT AXLE, W/ LIMITED SLIP DIFFERENTIAL, DIFFERENTIAL
25.102.300	VAR - 758420, 758425 - DIFFERENTIAL LOCK, HYD. LINE
25.102.320	VAR - 758421, 758426, 759109 - DIFFERENTIAL LOCK, HYD. LINE
25.102.330	VAR - 392196, 758417, 758418, 758419, 758420, 758421, 758422, 758423, 758424, 758425, 758426, 758427, 758428, 758429, 759109 - ELECTROHYDRAULIC DIFFERENTIAL LOCK, VALVE, HYD. LINE
25.102.340	VAR - 758424, 758429 - SUPERSTEER FRONT AXLE, DIFFERENTIAL LOCK, HYD. LINE
25.102.350	VAR - 758422, 758423, 758427, 758428 - SUSPENDED FRONT AXLE, DIFFERENTIAL LOCK, HYD. LINE
25.108.010	VAR - 758425, 758426 - FRONT AXLE, W/ HYDRAULIC DIFFERENTIAL LOCK, W/ STEERING SENSORS, W/O WATERPROOF, SHAFT
25.108.020	VAR - 758425, 758426 - FRONT AXLE, W/ HYDRAULIC DIFFERENTIAL LOCK, W/ STEERING SENSORS, PLANETARY REDUCER
25.108.030	VAR - 758425, 758426 - FRONT AXLE, W/ HYDRAULIC DIFFERENTIAL LOCK, W/ STEERING SENSORS, STEERING KNUCKLE, PLANETARY REDUCER
25.108.040	VAR - 758425, 758426 - FRONT AXLE, W/ HYDRAULIC DIFFERENTIAL LOCK, W/ STEERING SENSORS, STEERING KNUCKLE
25.108.050	VAR - 758425, 758426 - FRONT AXLE, W/ HYDRAULIC DIFFERENTIAL LOCK, W/ STEERING SENSORS, STEERING KNUCKLE, HUB
25.108.060	VAR - 758427 - SUSPENDED FRONT AXLE WITH HYDR. DIFF. LOCK & STRG SENSOR, SHAFT
25.108.070	VAR - 758427 - SUSPENDED FRONT AXLE WITH HYDR. DIFF. LOCK & STRG SENSOR, PLANETARY REDUCER
25.108.080	VAR - 758427 - SUSPENDED FRONT AXLE WITH HYDR. DIFF. LOCK & STRG SENSOR, STEERING KNUCKLE, PLANETARY REDUCER
25.108.090	VAR - 758427 - SUSPENDED FRONT AXLE WITH HYDR. DIFF. LOCK & STRG SENSOR, STEERING KNUCKLE
25.108.100	VAR - 758427 - SUSPENDED FRONT AXLE WITH HYDR. DIFF. LOCK & STRG SENSOR, STEERING KNUCKLE, HUB
25.108.110	VAR - 758428 - SUSPENDED FRONT AXLE WITH HYDR. DIFF. LOCK, STRG SENSOR & BRAKES, SHAFT
25.108.120	VAR - 758428 - SUSPENDED FRONT AXLE WITH HYDR. DIFF. LOCK, STRG SENSOR & BRAKES, PLANETARY REDUCER
25.108.130	VAR - 758428 - SUSPENDED FRONT AXLE WITH HYDR. DIFF. LOCK, STRG SENSOR & BRAKES, STEERING KNUCKLE
25.108.140	VAR - 758428 - SUSPENDED FRONT AXLE WITH HYDR. DIFF. LOCK, STRG SENSOR & BRAKES, STEERING KNUCKLE, HUB
25.108.150	VAR - 758420, 758421 - FRONT AXLE, W/ HYDRAULIC DIFFERENTIAL LOCK, W/ STEERING SENSORS, SHAFT
25.108.160	VAR - 392196, 758417, 758418, 758419, 758420, 758421, 758422, 758423, 758424 - FRONT AXLE, W/ HYDRAULIC DIFFERENTIAL LOCK, W/ STEERING SENSORS, PLANETARY REDUCER
25.108.170	VAR - 758420, 758421 - FRONT AXLE, W/ HYDRAULIC DIFFERENTIAL LOCK, W/ STEERING SENSORS, STEERING KNUCKLE, PLANETARY REDUCER
25.108.180	VAR - 758420, 758421 - FRONT AXLE, W/ HYDRAULIC DIFFERENTIAL LOCK, W/ STEERING SENSORS, STEERING KNUCKLE

TABLE OF CONTENTS

25.108.190	VAR - 758420, 758421 - FRONT AXLE, W/ HYDRAULIC DIFFERENTIAL LOCK, W/ STEERING SENSORS, STEERING KNUCKLE, HUB
25.108.200	VAR - 758423 - SUSPENDED FRONT AXLE WITH HYDR. DIFF. LOCK, STRG SENSOR & BRAKES, SHAFT
25.108.210	VAR - 758423 - SUSPENDED FRONT AXLE WITH HYDR. DIFF. LOCK, STRG SENSOR & BRAKES, STEERING KNUCKLE
25.108.220	VAR - 758423 - SUSPENDED FRONT AXLE WITH HYDR. DIFF. LOCK, STRG SENSOR & BRAKES, STEERING KNUCKLE, HUB
25.108.230	VAR - 758422 - SUSPENDED FRONT AXLE WITH HYDR. DIFF. LOCK & STRG SENSOR, SHAFT
25.108.240	VAR - 758422 - SUSPENDED FRONT AXLE WITH HYDR. DIFF. LOCK & STRG SENSOR, PLANETARY REDUCER
25.108.250	VAR - 758422 - SUSPENDED FRONT AXLE WITH HYDR. DIFF. LOCK & STRG SENSOR, STEERING KNUCKLE
25.108.260	VAR - 758422 - SUSPENDED FRONT AXLE WITH HYDR. DIFF. LOCK & STRG SENSOR, STEERING KNUCKLE, HUB
25.108.270	VAR - 759109 - FRONT AXLE, HEAVY DUTY, CL4, SHAFT
25.108.280	VAR - 759109 - FRONT AXLE, HEAVY DUTY, CL4, PLANETARY REDUCER
25.108.290	VAR - 759109 - FRONT AXLE, HEAVY DUTY, CL4, STEERING KNUCKLE, PLANETARY REDUCER
25.108.300	VAR - 759109 - FRONT AXLE, HEAVY DUTY, CL4, STEERING KNUCKLE
25.108.310	VAR - 759109 - FRONT AXLE, HEAVY DUTY, CL4, STEERING KNUCKLE, HUB
25.108.320	VAR - 758429 - SUPERSTEER FRONT AXLE WITH MULTI-PLATE DIFF. LOCK & STRG SENSOR, CL3.5, SHAFT
25.108.330	VAR - 758429 - SUPERSTEER FRONT AXLE WITH MULTI-PLATE DIFF. LOCK & STRG SENSOR, CL3.5, PLANETARY REDUCER
25.108.340	VAR - 758429 - SUPERSTEER FRONT AXLE WITH MULTI-PLATE DIFF. LOCK & STRG SENSOR, CL3.5, STEERING KNUCKLE, PLANETARY REDUCER
25.108.350	VAR - 758429 - SUPERSTEER FRONT AXLE WITH MULTI-PLATE DIFF. LOCK & STRG SENSOR, CL3.5, STEERING KNUCKLE
25.108.360	VAR - 758429 - SUPERSTEER FRONT AXLE WITH MULTI-PLATE DIFF. LOCK & STRG SENSOR, CL3.5, STEERING KNUCKLE, HUB
25.108.370	VAR - 758424 - SUPERSTEER FRONT AXLE WITH MULTI-PLATE DIFF. LOCK & STRG SENSOR, CL3, SHAFT
25.108.380	VAR - 758424 - SUPERSTEER FRONT AXLE WITH MULTI-PLATE DIFF. LOCK & STRG SENSOR, CL3, STEERING KNUCKLE, PLANETARY REDUCER
25.108.390	VAR - 758424 - SUPERSTEER FRONT AXLE WITH MULTI-PLATE DIFF. LOCK & STRG SENSOR, CL3, STEERING KNUCKLE
25.108.400	VAR - 758424 - SUPERSTEER FRONT AXLE WITH MULTI-PLATE DIFF. LOCK & STRG SENSOR, CL3, STEERING KNUCKLE, HUB
25.108.410	VAR - 392196, 758418 - FRONT AXLE, W/ LIMITED SLIP DIFFERENTIAL, SHAFT
25.108.420	VAR - 392196, 758418 - FRONT AXLE, W/ LIMITED SLIP DIFFERENTIAL, PLANETARY REDUCER
25.108.430	VAR - 392196, 758418 - FRONT AXLE, W/ LIMITED SLIP DIFFERENTIAL, STEERING KNUCKLE
25.108.440	VAR - 392196, 758418 - FRONT AXLE, W/ LIMITED SLIP DIFFERENTIAL, STEERING KNUCKLE, HUB
25.108.450	VAR - 392196, 758417, 758419 - FRONT AXLE, STANDARD, CL3, W/ FRONT BRAKES, SHAFT
25.108.460	VAR - 392196, 758417, 758419 - FRONT AXLE, STANDARD, CL3, W/ FRONT BRAKES, STEERING KNUCKLE
25.108.470	VAR - 392196, 758417, 758419 - FRONT AXLE, STANDARD, CL3, W/ FRONT BRAKES, STEERING KNUCKLE, HUB
25.122.010	VAR - 758422, 758423, 758427, 758428 - SUSPENDED FRONT AXLE, DRIVE SHAFT, CYLINDER
25.122.020	VAR - 758422, 758423, 758427, 758428 - SUSPENDED FRONT AXLE, VALVE
25.122.030	VAR - 758422, 758423, 758427, 758428 - SUSPENDED FRONT AXLE, VALVE, COMPONENTS
25.122.040	VAR - 758422, 758423, 758427, 758428 - SUSPENDED FRONT AXLE, VALVE, ACCUMULATOR

TABLE OF CONTENTS

25.122.050		VAR - 758422, 758423, 758427, 758428 - SUSPENDED FRONT AXLE, CYLINDER, VALVE, LINE
25.122.060		VAR - 758422, 758423, 758427, 758428 - SUSPENDED FRONT AXLE, HYDRAULIC LIFT, VALVE, LINE
25.122.070		VAR - 390560, 743689, 743690, 758423, 758427, 758445, 759371, 759372 - SUSPENDED FRONT AXLE, VALVE, LINE
25.122.080		VAR - 743689, 743690, 758445, 759371, 759372 - SUSPENDED FRONT AXLE, LINE, CHECK VALVE
25.122.090		VAR - 743689, 743690, 758445 - FRONT AXLE, CHECK VALVE
25.400.010		VAR - 759381 - 2WD FRONT AXLE, MOUNTING
25.400.020		VAR - 759381 - 2WD FRONT AXLE, COMPONENTS, AXLE EXTENSION
25.400.030		VAR - 759381 - 2WD FRONT AXLE, COMPONENTS, SPINDLE
25.400.040		VAR - 759381 - 2WD FRONT AXLE, COMPONENTS, HUB
27.000.00		SECTION INDEX - PLATFORM, CAB, BODYWORK & DECALS
27.000.00		SECTION INDEX - PLATFORM, CAB, BODYWORK & DECALS
27.100.010		VAR - 396247, 758441, 758442, 758549 - REAR AXLE, OIL, LEVEL INDICATOR
27.100.020		VAR - 391828 - REAR AXLE, OIL, LEVEL INDICATOR
27.105.050		VAR - 392197 - REAR AXLE, FINAL DRIVE, DIFFERENTIAL, LOCK
27.105.070		VAR - 392197 - REAR AXLE, FINAL DRIVE, DIFFERENTIAL, GEAR
27.106.010		VAR - 392195, 743764, 743766, 758413, 758414, 758415, 758416, 758437, 758581, 759375, 759377, 759379 - REAR AXLE, BEVEL GEAR
27.106.020		VAR - 758430, 758432, 758434 - REAR AXLE, FINAL DRIVE, DIFFERENTIAL, SUPPORT
27.106.030		VAR - 758430, 758432, 758434 - REAR AXLE, FINAL DRIVE, DIFFERENTIAL, GEAR
27.106.040		VAR - 758430, 758432, 758434 - REAR AXLE, FINAL DRIVE, DIFFERENTIAL, LOCK
27.106.060		VAR - 392197 - REAR AXLE, FINAL DRIVE, DIFFERENTIAL, SUPPORT
27.106.080		VAR - 759375, 759377, 759379 - REAR AXLE, DRIVE, GEAR, 2WD
27.120.010		VAR - 392197, 758430, 758432, 758434 - REAR AXLE, FINAL DRIVE HOUSING
27.120.020		VAR - 392197, 758430, 758432, 758434 - REAR AXLE, FINAL DRIVE, SHAFT & GEAR
27.120.030		VAR - 758432, 758434 - REAR AXLE, FINAL DRIVE, PLANETARY GEAR, SHAFT
27.120.040		VAR - 758434 - REAR AXLE, FINAL DRIVE, WHEEL HUB
27.120.050		VAR - 758432 - REAR AXLE, FINAL DRIVE, WHEEL HUB
31.000.00	01	SECTION INDEX - IMPLEMENT POWER TAKE OFF
31.000.00	02	SECTION INDEX - IMPLEMENT POWER TAKE OFF
31.101.010		VAR - 758421, 758426 - REAR PTO, WATERPROOF, RUBBER SEAL
31.104.010		VAR - 390801, 758436, 758437, 758585, 758586, 758587 - REAR PTO, PTO 540/540E/1000 RPM, CONTROL LEVER, SHIFTABLE PTO
31.104.020		VAR - 748586, 748587 - REAR PTO, PTO 540/540E/1000 RPM, CONTROL LEVER, CABLE, W/ GROUND SPEED
31.104.030		VAR - 758437 - REAR PTO, PTO 540/540E/1000 RPM, CONTROL LEVER, SHIFTABLE PTO
31.104.040		VAR - 758586, 758587 - REAR PTO, PTO 540/540E/1000 RPM, CONTROLS, W/ GROUND SPEED
31.104.050		VAR - 758586, 758587 - REAR PTO, PTO 540/540E/1000 RPM, VALVE WITH LEVER, W/ GROUND SPEED
31.104.060		VAR - 758586, 758587 - REAR PTO, PTO 540/540E/1000 RPM, SHAFT & GEAR, W/ GROUND SPEED

TABLE OF CONTENTS

31.104.080	VAR - 392195, 758413, 758415, 758581, 759375, 759377 - PTO CLUTCH, CONTROL VALVE, MOUNTING, W/O CREEPER
31.104.090	VAR - 392195, 758413, 758415, 758581, 759375, 759377 - PTO CLUTCH, CONTROL VALVE, COMPONENTS, W/O CREEPER
31.104.100	VAR - 392195, 758413, 758415, 758581, 759375, 759377 - PTO CLUTCH, DIRECTIONAL CONTROL VALVE, W/O CREEPER
31.104.110	VAR - 392195, 758413, 758414, 758415, 758416, 758581, 759375, 759377, 759379 - PTO CLUTCH, PRESSURE CONTROL VALVE
31.104.120	VAR - 758414, 758416 - PTO CLUTCH, CONTROL VALVE, MOUNTING, W/ CREEPER
31.104.130	VAR - 758414, 758416 - PTO CLUTCH, CONTROL VALVE, COMPONENTS, W/ CREEPER
31.104.140	VAR - 758414, 758416 - PTO CLUTCH, DIRECTIONAL CONTROL VALVE, W/ CREEPER
31.104.150	VAR - 392195, 743764, 743766, 758413, 758415, 758581 - PTO CLUTCH, CONTROL VALVE, MOUNTING, W/O CREEPER, W/ CCLS PUMP
31.104.160	VAR - 392195, 743764, 743766, 758413, 758415, 758581 - PTO CLUTCH, CONTROL VALVE, COMPONENTS, W/O CREEPER, W/ CCLS PUMP
31.104.170	VAR - 392195, 743764, 743766, 758413, 758415, 758581 - PTO CLUTCH, DIRECTIONAL CONTROL VALVE, W/O CREEPER, W/ CCLS PUMP
31.104.180	VAR - 758414, 758416 - PTO CLUTCH, CONTROL VALVE, MOUNTING, W/ CREEPER, W/ CCLS PUMP
31.104.190	VAR - 758414, 758416 - PTO CLUTCH, CONTROL VALVE, COMPONENTS, W/ CREEPER, W/ CCLS PUMP
31.104.200	VAR - 758414, 758416 - PTO CLUTCH, DIRECTIONAL CONTROL VALVE, W/ CREEPER, W/ CCLS PUMP
31.104.210	VAR - 743764, 743766 - PTO CLUTCH, CONTROL VALVE, MOUNTING (W/AUTO CHANGE)
31.104.220	VAR - 743764, 743766 - PTO CLUTCH, CONTROL VALVE, COMPONENTS (W/AUTO CHANGE)
31.104.230	VAR - 743764, 743766 - PTO CLUTCH, DIRECTIONAL CONTROL VALVE (W/AUTO CHANGE)
31.104.240	VAR - 743764, 743766 - PTO CLUTCH, PRESSURE CONTROL VALVE (W/AUTO CHANGE)
31.104.250	VAR - 759375, 759377 - PTO CLUTCH, CONTROL VALVE, MOUNTING, W/ FD PUMP, 2WD
31.104.260	VAR - 759375, 759377 - PTO CLUTCH, CONTROL VALVE, COMPONENTS, W/ FD PUMP, 2WD
31.104.270	VAR - 759375, 759377 - PTO CLUTCH, DIRECTIONAL CONTROL VALVE, 2WD
31.104.280	VAR - 759375, 759377 - PTO CLUTCH, CONTROL VALVE, MOUNTING, W/ CCLS PUMP, 2WD
31.104.290	VAR - 759375, 759377 - PTO CLUTCH, CONTROL VALVE, COMPONENTS, W/ CCLS PUMP, 2WD
31.104.300	VAR - 759379 - PTO CLUTCH, CONTROL VALVE, MOUNTING, W/ CREEPER, W/ FD PUMP, 2WD
31.104.310	VAR - 759379 - PTO CLUTCH, CONTROL VALVE, COMPONENTS, W/ CREEPER, W/ FD PUMP, 2WD
31.104.320	VAR - 759379 - PTO CLUTCH, DIRECTIONAL CONTROL VALVE, W/ CREEPER, 2WD
31.104.330	VAR - 759379 - PTO CLUTCH, CONTROL VALVE, MOUNTING, W/ CREEPER, W/ CCLS PUMP, 2WD
31.104.340	VAR - 759379 - PTO CLUTCH, CONTROL VALVE, COMPONENTS, W/ CREEPER, W/ CCLS PUMP, 2WD
31.114.110	VAR - 758440 - REAR PTO, PTO 540/1000 RPM, GEARS & SHAFT, LOWER, W/ REVERSABLE SHAFT
31.114.120	VAR - 758440 - REAR PTO, PTO 540/1000 RPM, FORK, W/ REVERSABLE SHAFT
31.114.130	VAR - 758440 - REAR PTO, PTO 540/1000 RPM, GEAR, UPPER, W/ REVERSABLE SHAFT
31.114.140	VAR - 758440 - REAR PTO, PTO 540/1000 RPM, PTO GEAR HOUSING, W/ REVERSABLE SHAFT
31.114.150	VAR - 743764, 743766, 758440 - REAR PTO, PTO 540/1000 RPM, DRIVE SHAFT, W/ REVERSABLE SHAFT, W/O GROUND SPEED
31.114.160	VAR - 743764, 743766, 758440 - REAR PTO, PTO 540/1000 RPM, DRIVE SHAFT, W/ GROUND SPEED, W/ REVERSABLE SHAFT
31.114.170	VAR - 758440 - REAR PTO, PTO 540/1000 RPM, PTO CLUTCH, W/ REVERSABLE SHAFT

TABLE OF CONTENTS

31.114.180	VAR - 758440 - REAR PTO, PTO 540/1000 RPM, BRAKE BAND, W/ REVERSABLE SHAFT
31.114.200	VAR - 758458, 758459, 758460, 758461, 758462, 758463, 758464 - PTO SHAFT, COVER
31.114.210	VAR - 390894, 758465, 758466, 758467, 758468, 758476 - PTO SHAFT, COVERS
31.114.220	VAR - 758440 - REAR PTO, PTO 540/1000 RPM, OUTPUT SHAFT
31.116.010	VAR - 390801, 758436, 758437, 758585, 758586, 758587 - REAR PTO, PTO 540/540E/1000 RPM, GEARS & SHAFT, LOWER
31.116.020	VAR - 390801, 758436, 758585, 758586, 758587 - REAR PTO, PTO 540/540E/1000 RPM, FORK
31.116.030	VAR - 390801, 758436, 758585, 758586, 758587 - REAR PTO, PTO 540/540E/1000 RPM, GEAR, UPPER
31.116.040	VAR - 390801, 758436, 758585, 758586, 758587 - REAR PTO, PTO 540/540E/1000 RPM, PTO GEAR HOUSING, SHIFTABLE PTO
31.116.050	VAR - 390801, 743764, 743766, 758436, 758437, 758585 - REAR PTO, PTO 540/540E/1000 RPM, DRIVE SHAFT, W/O GROUND SPEED
31.116.060	VAR - 390801, 743764, 743766, 758436, 758437, 758585, 758586, 758587 - REAR PTO, PTO 540/540E/1000 RPM, DRIVE SHAFT, W/ GROUND SPEED, SHIFTABLE PTO
31.116.070	VAR - 390801, 758436, 758437, 758585, 758586, 758587 - REAR PTO, PTO 540/540E/1000 RPM, PTO CLUTCH, SHIFTABLE PTO
31.116.080	VAR - 390801, 758436, 758585, 758586, 758587 - REAR PTO, PTO 540/540E/1000 RPM, BRAKE BAND, SHIFTABLE PTO
31.116.140	VAR - 758437 - REAR PTO, PTO 540E/1000/1000E RPM, GEARS & SHAFT, LOWER, SHIFTABLE PTO
31.116.150	VAR - 758437 - REAR PTO, PTO 540E/1000/1000E RPM, FORK, SHIFTABLE PTO
31.116.160	VAR - 758437 - REAR PTO, PTO 540E/1000/1000E RPM, GEAR, UPPER, SHIFTABLE PTO
31.116.170	VAR - 758437 - REAR PTO, PTO 540E/1000/1000E RPM, PTO GEAR HOUSING, SHIFTABLE PTO
31.116.190	VAR - 743764, 743766, 758437 - REAR PTO, PTO 540E/1000/1000E RPM, DRIVE SHAFT, W/O GROUND SPEED
31.116.200	VAR - 743764, 743766, 758437 - REAR PTO, PTO 540E/1000/1000E RPM, DRIVE SHAFT, W/ GROUND SPEED, SHIFTABLE PTO
31.116.210	VAR - 758437 - REAR PTO, PTO 540E/1000/1000E RPM, PTO CLUTCH, SHIFTABLE PTO
31.116.220	VAR - 758437 - REAR PTO, PTO 540E/1000/1000E RPM, BRAKE BAND, SHIFTABLE PTO
31.116.230	VAR - 758436, 758437, 758587 - REAR PTO, OUTPUT SHAFT
31.116.240	VAR - 390894, 758465, 758466, 758467, 758468, 758476 - PTO SHAFT, COVER
31.116.250	VAR - 758458, 758459, 758460, 758461, 758462, 758463, 758464 - PTO SHAFT, COVERS
31.142.010	VAR - 759147, 759148, 759149 - FRONT PTO, ACTUATOR
31.142.020	VAR - 759147, 759148, 759149 - FRONT PTO, ACTUATOR, COMPONENTS
31.142.030	VAR - 744790, 744965, 744966, 759147, 759148, 759149 - FRONT PTO W/ 6 SPLINES, ACTUATOR, LINE
31.142.040	VAR - 759147, 759148, 759149 - FRONT PTO W/ 6 SPLINES, LINE
31.142.050	VAR - 744790, 744965, 744966, 759147, 759148 - FRONT PTO W/ 6 SPLINES, LINE
31.146.010	VAR - 759147, 759148, 759149 - FRONT PTO W/ 6 SPLINES, DRIVE SHAFT
31.146.020	VAR - 759147, 759148, 759149 - FRONT PTO, DRIVEN SHAFT, COMPONENTS
31.146.030	VAR - 759147, 759148, 759149 - FRONT PTO, DRIVEN SHAFT, COMPONENTS
31.146.040	VAR - 759147, 759148, 759149 - FRONT PTO, HOUSING
31.146.050	VAR - 759147, 759148, 759149 - FRONT PTO, HOUSING, COMPONENTS
31.146.060	VAR - 759147, 759148, 759149 - FRONT PTO, CLUTCH

TABLE OF CONTENTS

31.146.070		VAR - 759147, 759148, 759149 - FRONT PTO, GUARD
33.000.00	01	SECTION INDEX - BRAKES & CONTROLS
33.000.00	01	SECTION INDEX - BRAKES & CONTROLS
33.000.00	02	SECTION INDEX - BRAKES & CONTROLS
33.000.00	02	SECTION INDEX - BRAKES & CONTROLS
33.000.00	03	SECTION INDEX - BRAKES & CONTROLS
33.000.00	03	SECTION INDEX - BRAKES & CONTROLS
33.110.010		VAR - 391610, 758479 - HAND BRAKE, BOOT
33.110.020		VAR - 392195, 743764, 743766, 758413, 758414, 758415, 758416, 758581, 759375, 759377, 759379 - PARKING BRAKE, DISC
33.110.030		VAR - 392195, 743764, 743766, 758413, 758414, 758415, 758416, 758581, 759375, 759377, 759379 - PARKING BRAKE, EXTERNAL CONTROL
33.110.040		VAR - 390729, 758447, 758448, 758449 - HAND BRAKE, LEVER
33.110.050		VAR - 758447, 758448, 758449 - HAND BRAKE, LEVER
33.202.010		VAR - 390166 - REAR AXLE, BRAKE DISC
33.202.020		VAR - 390166, 758435 - BRAKE FLUID RESERVOIR
33.202.030		VAR - 758435 - REAR AXLE, BRAKE DISC
33.202.050		VAR - 391828, 758441 - REAR AXLE, BRAKE LINE
33.202.060		VAR - 392195, 743764, 743766, 758413, 758414, 758415, 758416, 758581, 759375, 759377, 759379 - BRAKE CONTROL VALVE, LINE
33.202.070		VAR - 392195, 743764, 743766, 758413, 758414, 758415, 758416, 758581, 759375, 759377, 759379 - BRAKE, MASTER CYLINDER
33.202.080		VAR - 392195, 743764, 758413, 758414, 758415, 758416, 758581, 759375, 759377, 759379 - BRAKE, PEDAL
33.202.090		VAR - 758441 - FINAL DRIVE, BRAKE LINE
33.202.100		VAR - 743766 - BRAKE, PEDAL
33.204.010		VAR - 758428 - SUSPENDED FRONT AXLE WITH HYDR. DIFF. LOCK, STRG SENSOR & BRAKES, BRAKE DISC
33.204.020		VAR - 758428 - SUSPENDED FRONT AXLE WITH HYDR. DIFF. LOCK, STRG SENSOR & BRAKES, BRAKE LINE
33.204.030		VAR - 758423 - SUSPENDED FRONT AXLE WITH HYDR. DIFF. LOCK, STRG SENSOR & BRAKES, BRAKE DISC
33.204.040		VAR - 758423 - SUSPENDED FRONT AXLE WITH HYDR. DIFF. LOCK, STRG SENSOR & BRAKES, BRAKE LINE
33.204.050		VAR - 392196, 758417, 758419 - FRONT AXLE, STANDARD, CL3, W/ FRONT BRAKES, BRAKE DISC
33.204.060		VAR - 392196, 758417, 758419 - FRONT AXLE, STANDARD, CL3, W/ FRONT BRAKES, BRAKE LINE
33.204.070		VAR - 758417, 758419, 758423, 758428 - BRAKE CONTROL VALVE
33.204.080		VAR - 758417, 758419, 758423, 758428 - FRONT AXLE, CONTROL VALVE, BRAKE, LINE
33.204.090		VAR - 758417, 758419, 758423, 758428 - BRAKE CONTROL VALVE, LINE
33.220.010		VAR - 390711 - TRAILER BRAKE VALVE, COVERS
33.220.020		VAR - 758860 - TRAILER BRAKE VALVE, INTERGRATED
33.220.030		VAR - 390711 - TRAILER BRAKE VALVE, INTERGRATED, HYDRAULIC LINE
33.220.040		VAR - 744784, 759472 - HYDRAULIC TRAILER BRAKE

TABLE OF CONTENTS

33.220.050		VAR - 744784, 759472 - HYDRAULIC TRAILER BRAKE, COMPONENTS
33.220.060		VAR - 744785 - TRAILER BRAKE VALVE, W/ CCLS PUMP
33.220.070		VAR - 744785 - TRAILER BRAKE VALVE, W/ FIXED DISPLACEMENT PUMP
33.220.080		VAR - 758860 - TRAILER BRAKE VALVE, PIPE, RH
33.220.090		VAR - 758860 - TRAILER BRAKE VALVE, PIPE, RH
33.220.100		VAR - 758860 - TRAILER BRAKE VALVE, PIPE, LH, W/ CCLS PUMP
33.220.110		VAR - 758860 - TRAILER BRAKE VALVE, PIPE, LH, W/ CCLS PUMP
33.220.120		VAR - 758860 - TRAILER BRAKE VALVE, PIPE, LH, W/ FIXED DISPLACEMENT PUMP
33.220.130		VAR - 758860 - TRAILER BRAKE VALVE, PIPE, LH, W/ FIXED DISPLACEMENT PUMP
33.220.140		VAR - 758860 - HYDRAULIC TRAILER BRAKE, COMPONENTS
33.220.150		VAR - 390711, 744784, 784785, 759472 - TRAILER BRAKE VALVE, INTERGRATED
33.224.010		VAR - 758447, 758448, 758449 - PNEUMATIC TRAILER BRAKE, CONTROL VALVE
33.224.020		VAR - 758447, 758448, 758449 - PNEUMATIC TRAILER BRAKE, SUPPORT, COMPONENTS
33.224.030		VAR - 758447, 758448, 758449 - PNEUMATIC TRAILER BRAKE, COMPRESSOR
33.224.040		VAR - 758447, 758448, 758449 - PNEUMATIC TRAILER BRAKE, COMPRESSOR, LUBRICATION LINE
33.224.060		VAR - 758447, 758448, 758449 - PNEUMATIC TRAILER BRAKE, COMPRESSOR, LINE
33.224.070	01	VAR - 758447 - PNEUMATIC TRAILER BRAKE, LINE - END YR 28-JAN-2018
33.224.070	02	VAR - 758447 - PNEUMATIC TRAILER BRAKE, LINES - BEGIN YR 29-JAN-2018
33.224.080	01	VAR - 758447, 758448, 758449 - PNEUMATIC TRAILER BRAKE, LINES - END YR 28-JAN-2018
33.224.080	02	VAR - 758447, 758448, 758449 - PNEUMATIC TRAILER BRAKE, LINES - BEGIN YR 29-JAN-2018
33.224.090	01	VAR - 758447, 758448, 758449 - PNEUMATIC TRAILER BRAKE, LINES - END YR 28-JAN-2018
33.224.090	02	VAR - 758447, 758448, 758449 - PNEUMATIC TRAILER BRAKE, LINES - BEGIN YR 29-JAN-2018
33.224.100	01	VAR - 758449 - PNEUMATIC TRAILER BRAKE, LINE - END YR 28-JAN-2018
33.224.100	02	VAR - 758449 - PNEUMATIC TRAILER BRAKE, LINES - BEGIN YR 29-JAN-2018
33.224.110	01	VAR - 758448 - PNEUMATIC TRAILER BRAKE, LINE - END YR 28-JAN-2018
33.224.110	02	VAR - 758448 - PNEUMATIC TRAILER BRAKE, LINES - BEGIN YR 29-JAN-2018
35.000.00	01	SECTION INDEX - HYDRAULIC SYSTEMS
35.000.00	02	SECTION INDEX - HYDRAULIC SYSTEMS
35.000.00	03	SECTION INDEX - HYDRAULIC SYSTEMS
35.104.010		VAR - 758441 - HYDRAULIC PUMP, CCLS 19CC
35.104.020		VAR - 758441 - HYDRAULIC PUMP, CCLS 25CC
35.104.030		VAR - 391828 - HYDRAULIC PUMP, CCLS 19CC
35.106.010		VAR - 758441 - VARIABLE DELIVERY HYDRAULIC PUMP, LINE
35.106.020		VAR - 758441 - VARIABLE DELIVERY HYDRAULIC PUMP, CCLS 19CC, LINE
35.106.030		VAR - 758441 - VARIABLE DELIVERY HYDRAULIC PUMP, CCLS 25CC, LINE
35.106.040		VAR - 391828 - VARIABLE DELIVERY HYDRAULIC PUMP, OC 32-19CC

TABLE OF CONTENTS

35.106.050	VAR - 391828 - VARIABLE DELIVERY HYDRAULIC PUMP, OC 32-19CC, LINE
35.106.060	VAR - 391828 - VARIABLE DELIVERY HYDRAULIC PUMP, OC 32-19CC, FILTER
35.116.010	VAR - 390911 - 3 POINT HITCH, HYDRAULIC CYLINDER, 80MM, 80MM
35.116.020	VAR - 390911, 743811 - 3 POINT HITCH, HYDRAULIC CYLINDER, LINE
35.116.030	VAR - 743811 - 3 POINT HITCH, HYDRAULIC CYLINDER, 90MM
35.124.010	VAR - 758453, 758454, 758711, 758712 - 3 POINT HITCH, REAR, W/ HYDRAULIC TOP LINK
35.124.020	VAR - 758453, 758454, 758711, 758712 - 3 POINT HITCH, REAR, W/ HYDRAULIC TOP LINK, COMPONENTS
35.124.030	VAR - 758453, 758454, 758711, 758712 - 3 POINT HITCH, REAR, W/ HYDRAULIC TOP LINK, HOSE
35.160.010	VAR - 759144, 759145, 759147, 759148, 759149 - INTEGRATED HYDRAULIC LIFT, HITCH, ACCUMULATOR
35.160.020	VAR - 759144, 759145, 759147, 759148, 759149 - INTEGRATED HYDRAULIC LIFT, HITCH, LINE
35.160.030	VAR - 759141, 759142 - HYDRAULIC LIFT, HITCH, W/ SUPERSTEER, VALVE, ATTACHMENT, COMPONENTS
35.160.040	VAR - 759141, 759142 - HYDRAULIC LIFT, HITCH, W/ SUPERSTEER, VALVE, COMPONENTS
35.160.050	VAR - 759141, 759142 - HYDRAULIC LIFT, HITCH, W/ SUPERSTEER, VALVE, COMPONENTS
35.160.060	VAR - 759141, 759142 - HYDRAULIC LIFT, HITCH, W/ SUPERSTEER, VALVE, LEVER
35.160.070	VAR - 759141, 759142 - HYDRAULIC LIFT, HITCH, W/ SUPERSTEER, W/ 2 COUPLERS, VALVE, ATTACHMENT, COMPONENTS
35.160.080	VAR - 758473, 758582 - REMOTE CONTROL VALVE, W/ FRONT HYDRAULIC LIFT, LINE
35.160.090	VAR - 758473, 758582 - REMOTE CONTROL VALVE, W/ FRONT HYDRAULIC LIFT, LINE
35.160.100	VAR - 758473, 758475, 758544, 758582 - 3 POINT HITCH, W/ FRONT HYDRAULIC LIFT, W/ SUPERSTEER
35.160.130	VAR - 758582 - REMOTE CONTROL VALVE, W/ FRONT HYDRAULIC LIFT, LINE
35.160.140	VAR - 758582 - REMOTE CONTROL VALVE, W/ FRONT HYDRAULIC LIFT, LINE
35.160.150	VAR - 758544, 758582 - 3 POINT HITCH, W/ FRONT HYDRAULIC LIFT, HYDRAULIC COUPLER
35.160.160	VAR - 758544 - REMOTE CONTROL VALVE, W/ FRONT HYDRAULIC LIFT, W/O MID MOUNT VALVES, LINE
35.160.170	VAR - 758475, 758544 - REMOTE CONTROL VALVE, W/ FRONT HYDRAULIC LIFT, W/O MID MOUNT VALVES, LINE
35.160.180	VAR - 758544, 758582 - 3 POINT HITCH, W/ FRONT HYDRAULIC LIFT, W/ SUPERSTEER
35.162.010	VAR - 759144, 759145, 759147, 759148, 759149 - INTEGRATED HYDRAULIC LIFT, HITCH, CYLINDER, LINE
35.162.020	VAR - 759141, 759142 - HYDRAULIC LIFT, HITCH, W/ SUPERSTEER, CYLINDER, COMPONENTS
35.162.030	VAR - 759141, 759142 - HYDRAULIC LIFT, HITCH, W/ SUPERSTEER, W/ 2 COUPLERS, CYLINDER, COMPONENTS
35.204.010	VAR - 743741 - 3 REMOTE CONTROL VALVES, W/ MECHANICAL ENGAGEMENT, 2, CONFIGURABLE, 1, NOT CONFIGURABLE
35.204.020	VAR - 743741 - 3 REMOTE CONTROL VALVES, W/ MECHANICAL ENGAGEMENT, 2, CONFIGURABLE, 1, NOT CONFIGURABLE, COMPONENTS
35.204.030	VAR - 390840 - 2 REMOTE CONTROL VALVES, W/ MECHANICAL ENGAGEMENT, NOT CONFIGURABLE, W/ FD VALVE
35.204.040	VAR - 390840 - 2 REMOTE CONTROL VALVES, W/ MECHANICAL ENGAGEMENT, NOT CONFIGURABLE, W/ FD VALVE, COMPONENTS
35.204.050	VAR - 390840 - 2 REMOTE CONTROL VALVES, W/ MECHANICAL ENGAGEMENT, NOT CONFIGURABLE, W/ CCLS VALVE
35.204.060	VAR - 390840 - 2 REMOTE CONTROL VALVES, W/ MECHANICAL ENGAGEMENT, NOT CONFIGURABLE, W/ CCLS VALVE, COMPONENTS

**Thanks very much for your reading,
Want to get more information,
Please click here, Then get the complete
manual**

JustClickHere 

NOTE:

**If there is no response to click on the link above,
please download the PDF document first, and then
click on it.**

**Have any questions please write to me:
admin@servicemanualperfect.com**